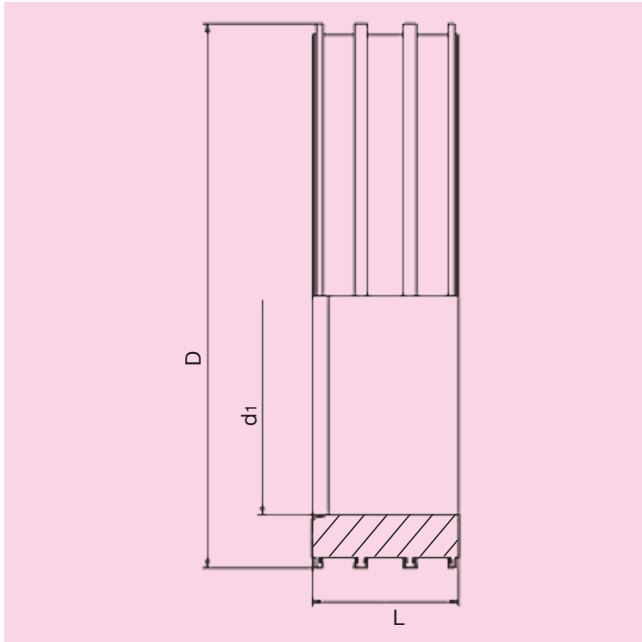


# FRIAFIT® Sewage Inspection Chamber Adapter ASF as joining element between concrete inspection chamber and FRIAFIT-Sewage Insert Sleeve (AEM)

## PE 100

Maximum testing pressure 0,5 bar (according to DIN EN 1610)



| d   | Order Ref.    | Stock-status | BX | PU | D   | d <sub>1</sub> | L   | Weight kg/each |
|-----|---------------|--------------|----|----|-----|----------------|-----|----------------|
| 110 | <b>680401</b> | 1            | 12 | 96 | 200 | 134            | 135 | 1,600          |
| 160 | <b>680402</b> | 1            | 8  | 64 | 250 | 190            | 135 | 1,900          |
| 180 | <b>680403</b> | 1            | 6  | 48 | 280 | 218            | 135 | 2,300          |
| 200 | <b>680404</b> | 1            | 4  | 32 | 315 | 250            | 135 | 2,700          |
| 225 | <b>680405</b> | 1            | 4  | 32 | 355 | 280            | 135 | 3,700          |
| 250 | <b>680406</b> | 1            | 4  | 32 | 355 | 280            | 135 | 4,000          |
| 280 | <b>680407</b> | 1            | 4  | 32 | 400 | 316            | 135 | 4,800          |
| 315 | <b>680408</b> | 1            | 1  | 18 | 450 | 357            | 135 | 6,200          |
| 355 | <b>680409</b> | 1            | 1  | 18 | 500 | 402            | 135 | 7,400          |
| 400 | <b>680410</b> | 1            | 1  | 12 | 560 | 452            | 135 | 9,300          |
| 450 | <b>680411</b> | 1            | 2  | 8  | 630 | 502            | 135 | 12,700         |
| 560 | <b>680412</b> | 1            | 3  | 6  | 710 | 628            | 135 | 8,800          |
| 630 | <b>680413</b> | 1            | 1  | 6  | 800 | 713            | 135 | 10,700         |

# **FRIAFIT® Sewage Inspection Chamber Adapter ASF** **as joining element between concrete inspection chamber and** **FRIAFIT-Sewage Insert Sleeve (AEM)** **PE 100**

Maximum testing pressure 0,5 bar (according to DIN EN 1610)

Sewage pipe systems represent high quality economical assets, and we need to maintain their value long term. Sewerage systems need to meet ever increasing demands and require raw materials which fulfill these conditions. For some years now the FRIAFIT-Sewage System made from HDPE has connected HDPE sewer pipes, leakproof longitudinal strong and root-bound with the aid of FRIAMAT fusion units.

## **Areas of Application**

The FRIAFIT-Sewage Inspection Chamber Adapter ASF is the joining element between concrete inspection chamber according to DIN 4034 and the FRIAFIT-Sewage Insert Sleeve AEM.

## **Assembly Instructions**

The ASF is usually fitted in at the concrete works during manufacture of the inspection chambers. Application of the ASF is possible even on local concrete inspection chambers.

The ASF Sewage Inspection Chamber Adapter is installed according to the general installation requirements (see also "Fitting Instructions" of the FRIAFIT-Sewage System).

## **Six good reasons for using the FRIAFIT-Sewage Inspection Chamber Adapter ASF**

- **The ASF is a corrosion resistant HDPE construction part**
- **Stable internal diameter due to big wall thickness**
- **Anchoring ribs twisted at the rear across the entire width ensure proper and leakfree anchoring in the concrete**
- **Width of component and connection HDPE/concrete correspond to DIN 4034**
- **Defined internal area for the reliable system sealing (AEM)**
- **For subsequent installation in bricks chambers a longer version ASFL (L = 250 mm) was developed**

**For further information, please call our customer service staff and specialist advisers.**

FRIATEC Aktiengesellschaft · Technical Plastics Division  
P.O.B. 71 02 61 · D-68222 Mannheim  
Telephone +49 621 486-1431 · Telefax +49 621 479196  
www.friatec.com · E-Mail: info-friafit@friatec.de

Please find our datasheets for downloading on the internet at [www.friatec.com](http://www.friatec.com)